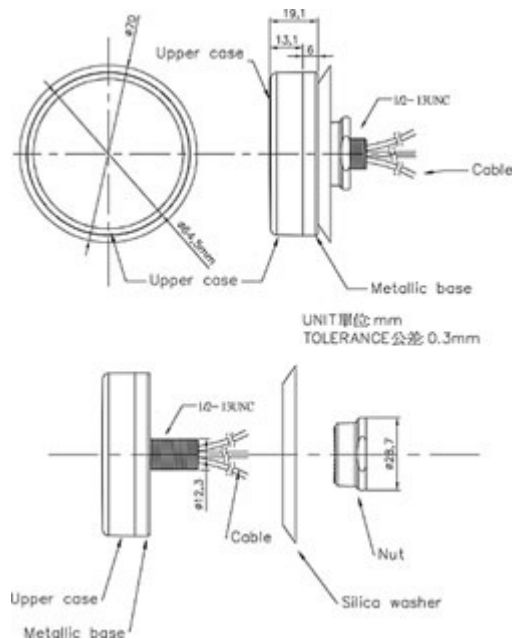


AW-3C Quad-Band Antenna Series:

- ❑ The AW-3C is a combination of both GPS and AMPS antennas
- ❑ The antenna is designed mainly to simplify the need for an AVL or Fleet Management system
- ❑ It is the combination of high gain GPS, CDMA and WiFi antennas with low profile and rugged structure
- ❑ Waterproof & suction cup mounting



Specifications:

Category	GPS Antenna	CDMA Antenna	WiFi Antenna
Features	Patch antenna with state of the art low noise amplifier	Dual band 850/1900 MHz	2.4 GHz
Frequency	1575.42 MHz	824MHz ~ 894MHz 1840 MHz ~ 2000 MHz	2.4 G ~ 2.5 G
Size (Ø x H)	Ø 64.5 mm x 19 mm	--	--
Polarization	RHCP (right hand circular polarization)	Linear Polarization	Linear Polarization
Peak Gain	26 dB typically	850 MHz -7.0 dBi	-7 dBi
Noise Figure	2.0 max	--	--
Attenuation	20dB min. @ FO+/-50 MHz	--	--
Band Width	10 MHz	70MHz for frequency of 824~894 MHz 160 MHz for frequency of 1840 ~ 2000 MHz	100 MHz for frequency of 2.4G ~ 2.5 G

VSWR	< 2.0	< 2.0	< 1.5 + 0.1
Impedance	50 Ω	50 Ω	50 Ω
Power supply	3 V ~ 5.5 VDC	--	--
Power Consumption:	11 mA	--	--
Power Handling Cap.	--	10W	10W
Operating Temperature	-40°C ~ +55°C	--	--
Storage Temperature	-45°C ~ +55°C	--	--