

GM-48-S GPS Empfänger ("Mause")

- ❑ Mit Antaris 4 Chipset
- ❑ Niedriger Stromverbrauch und hohe Genauigkeit
- ❑ GPS Empfänger / Antenne
- ❑ Mit RS 232 & USB Anschluß

Merkmale:

Einstellbar zwischen 1 ~ 4 Hz update rates

Schneller kalt Start von nur 41s

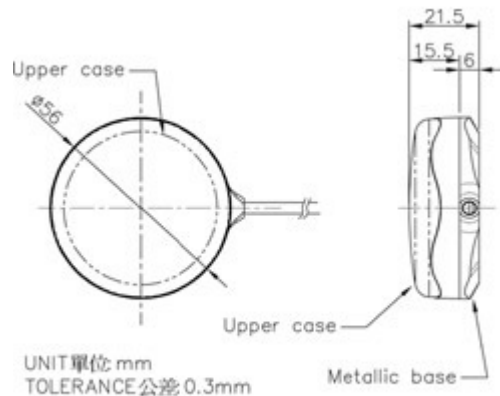
Niedriger Energie Verbrauch

Robuste Struktur

Anwendung:

-GPS navigation für die Anwendung an Land oder auf See

-Telemetrische & AVL Anwendungen



Datasheet GM-48-S USB or RS232

Mechanical Data:

Size in mm	
(Diameter x H)	56x21.5
Weight	87gram
Cabel	5m
Mounting	magnetic
Housing color	white
Construction	Fully waterproof structure

Environmental Conditions:

Operating Temp.	-30°C ~ + 75°C
Storage Temp.	-40°C ~ + 85°C

Communication:

Protocol	NMEA, UBX binary
Signal level	RS-232, USB

Interface Capability:

Standard Output	GGA*5,GSV*5,GGA, RMC,VTG
-----------------	-----------------------------

Performance:

Receiving frequency	1575.42 MHZ, C/A code
Built-in Antenna	H.-reliable ceramic patch
Sensitivity	-150 dBm
SBAS	Support WAAS, EGNOS
Receiver architecture	50 parallel channels 1 sec. (hot start)
Start up time (typical)	32 sec. (warm start) 32 sec. (cold start)
Position accuracy	Autonomous Pos Error <2.5 m CEP
DGPS (WAAS,EGNOS)	<2.0 m
Velocity	0.1 M/S
Altitude	50 km
Update Rate	1~4 Hz selectable
Power Supply	RS-232 5V or 8~35V USB @ 5 V

Current Consumption	61mA for USB 63 mA for RS 232
Baud Rate	4800 bps (default) 2400/4800/19200/38400/ 57600/115200)

Shipment:

- Receiver
- Software CD
- 5m cable with USB or DB-9
- 12V Car Adapter

Ordering Information:

GM-48-S-USB (USB-Interface)
GM-48-S-DB-9 (DB-9 Interface)

Contact us:

TecSys GmbH
Karl-Theodor-Str. 55
80803 Munich
Germany
Email: mark@tecsys.de
Internet: <http://www.tecsys.de>
Phone: +49 89 321 990 14
Fax: +49 89 307 21 65

