

## GM-48-S Récepteurs GPS ("souris")

ANTARIS 4 chipset

Faible consommation d'énergie et de haute

Récepteur GPS / antenne

RS 232 et un port USB

### **Fonctions:**

Réglable entre 1 ~ 4 Taux de mise à jour  
Hz

Fast start 41s froide seulement

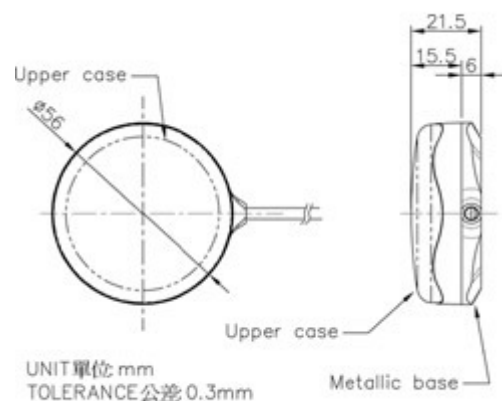
Faible consommation d'énergie

Structure robuste

### **Application:**

- De navigation GPS pour utilisation sur  
terre ou en mer

- AVL-Telemetry & applications



# Datasheet GM-48-S USB or RS232

## **Mechanical Data:**

Size in mm	
(Diameter x H)	56x21.5
Weight	87gram
Cabel	5m
Mounting	magnetic
Housing color	white
Construction	Fully waterproof structure

## **Environmental Conditions:**

Operating Temp.	-30°C ~ + 75°C
Storage Temp.	-40°C ~ + 85°C

## **Communication:**

Protocol	NMEA, UBX binary
Signal level	RS-232, USB

## **Interface Capability:**

Standard Output	GGA*5,GSV*5,GGA, RMC,VTG
-----------------	-----------------------------

## **Performance:**

Receiving frequency	1575.42 MHZ, C/A code
Built-in Antenna	H.-reliable ceramic patch
Sensitivity	-150 dBm
SBAS	Support WAAS, EGNOS
Receiver architecture	50 parallel channels 1 sec. (hot start)
Start up time (typical)	32 sec. (warm start) 32 sec. (cold start)
Position accuracy	Autonomous Pos Error <2.5 m CEP
DGPS (WAAS,EGNOS)	<2.0 m
Velocity	0.1 M/S
Altitude	50 km
Update Rate	1~4 Hz selectable
Power Supply	RS-232 5V or 8~35V USB @ 5 V

Current Consumption	61mA for USB 63 mA for RS 232
Baud Rate	4800 bps (default) 2400/4800/19200/38400/ 57600/115200)

## **Shipment:**

- Receiver
- Software CD
- 5m cable with USB or DB-9
- 12V Car Adapter

## **Ordering Information:**

GM-48-S-USB (USB-Interface)  
GM-48-S-DB-9 (DB-9 Interface)

## **Contact us:**

**TecSys GmbH**  
Karl-Theodor-Str. 55  
80803 Munich  
Germany  
Email: [mark@tecsys.de](mailto:mark@tecsys.de)  
Internet: <http://www.tecsys.de>  
Phone: +49 89 321 990 14  
Fax: +49 89 307 21 65

