

# FV-5M “GPS Receiver Module”

## Overview:

The main goal of FV-M5 is that it is used as part of an integrated system, which can be a simple PVT (Position Velocity Time) system, for instance a G-mouse, Personal navigation Device or a complex wireless system such as a system with GPRS function.

The module is excellent in performance, sensitivity, power consumption, good start up time, position accuracy and the size of the module.

It has the same features as the FV-M8 except that it comes without an antenna.



## Features:

MTK-3301 GPS Chipset

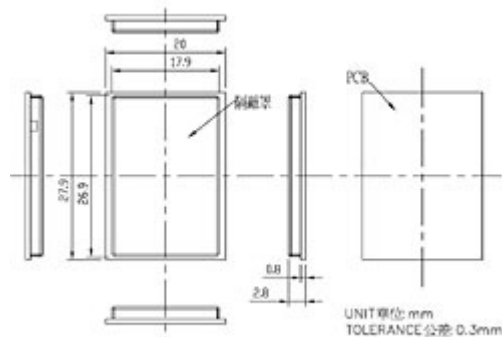
32 parallel channels

High sensitive -158dbm

5Hz Update Rate

Power supply 3.3 +-5%

Low power consumption



## Application:

GPS-enabled handheld or AVL applications

## **Specification FV-M5 GPS Receiver Module:**

<b>PHYSICAL CONSTRUCTION :</b>		<b>PERFORMANCE :</b>	
Dimension	L 27.9 mm W 20.0 mm H 2.9 mm	Sensitivity	-158dbm
Weight	3 gram	Receiver architecture	32 parallel channels
Receiving frequency	1575.42MHZ; C/A code	Start-up time	Hot start 1 sec typ.
Mounting	SMD		Warm start 35 sec typ.
Construction	Full EMI shielding		Cold start 41 sec typ.
<b>ENVIRONMENTAL CONDITIONS :</b>		Position accuracy	Without aid 3.35 m CEP With SBAS 2.60 m
Temperature	Operating: -30° ~ + 80°	Velocity	0.1 Knot RMS steady state
	Storage: -40° ~ + 85°	Update Rate	1 ~ 5Hz
<b>COMMUNICATION :</b>		Power Supply	3,3V +- 5%
Protocol	NMEA 0183 V3.00, RTCM	Current Consumption	Acquisition: 57mA
Signal level	UART @ 2.8V		Tracking 55mA first 5min 38mA after 5 min 30mA after 20 min
<b>INTERFACE CAPABILITY :</b>		Baud Rate	9600 bps (default) & 4800/9600/38400/57600/115200 bps are adjustable
Output Sentences	Standard Option	GGA, RMC, GSV*5, GSA*5, VTG GLL,ZDA	

**This specification is subject to change without prior notice..**