

## TK-158 Mini GPS Locator “Mouse”

- ❑ **Smallest GPS locator**
- ❑ **Single unit GPS Receiver / Antenna**
- ❑ **High quality GPS Solution for AVL, Fleet Mgt. Systems and Marine Navigation Aids**
- ❑ **Provides real time positioning to your PC / PDA**
- ❑ **Waterproof enclosure with bolt mount**
- ❑ **Interface to RS-232 or USB serial com port**



### ***Description:***

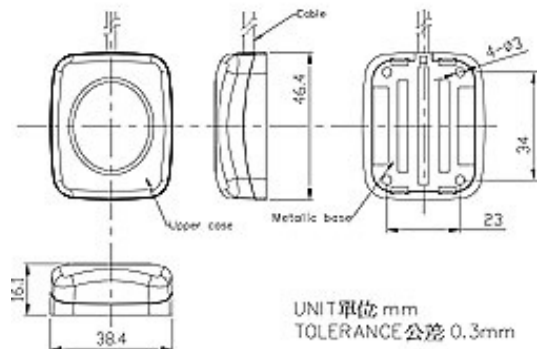
-Smallest GPS locator with excellent software compatibility that provides real-time positioning to your palmtop /desktop PC or PDA.

-The Plug-Navigation-Position is the new TK-158 Receiver / Antenna concept in mobile navigational GPS solution. When integrated with your computer, real time position of your vehicle helps you navigate to your next destination.

-The GM-158 mobile locator is a high quality GPS solution for AVL, Fleet Management Systems and Marine navigational aids.

-The unit is a single GPS Receiver / Antenna in a low profile, waterproof enclosure with bolt mount.

-It interfaces to a RS-232 or a USB serial com Port of your computing device that utilizes NMEA 0183 data output sentences



### ***Applications:***

- Navigation and positioning
- Finding streets and routes via GPS map software
- Travel track planning
- Fleet management GPS system

# Datasheet TK-158-USB or DB-9

## **Mechanical Data:**

Size in mm (LxWxH)	46x38x16.1
Weight	175gram
Cabel	5m
Mounting	magnetic mount
Housing color	black

## **Environmental Conditions:**

Operating Temp.	0°C ~ + 70°C
Storage Temp.	-20°C ~ + 85°C

## **Communication:**

Protocol	NMEA V3.00
Signal level	EIA/TIA-232 or USB 1.1

## **Interface Capability:**

Standard Output	GGA,RMC,GSV*5,VTG
Sentences	GSA*5(option: GLL,ZDA)

## **Performance:**

Built-in Antenna	H.-reliable ceramic patch
Sensitivity	-159 dBm
Receiver architecture	20 parallel channels 1 sec. (hot start)
Start up time (typical)	35 sec. (warm start) 41 sec. (cold start)
Position accuracy	Autonomous Pos Error 1.5 m CEP
Velocity	100 m/s
Altitude	50 km
Update Rate	1 Hz
Power Supply	RS-232 @ 3.6~5V USB @ 5 V
Current Consumption	Acquisition: 60mA Tracking : 60 mA
Baud Rate	9600 bps (default) Option: 4800/19200/ 38400/57600/115200)

## **Shipment:**

- Receiver
- Software CD
- 5m cable with USB or DB-9
- 12V Car Adapter

## **Ordering Information:**

TK-158-USB (USB-Interface)

TK-158-DB-9 (DB-9 Interface)

## **Contact us:**

**TecSys GmbH**

Karl-Theodor-Str. 55

80803 Munich

Germany

Email: [mark@tecsys.de](mailto:mark@tecsys.de)

Internet: <http://www.tecsys.de>

Phone: +49 89 321 990 14

Fax: +49 89 307 21 65

