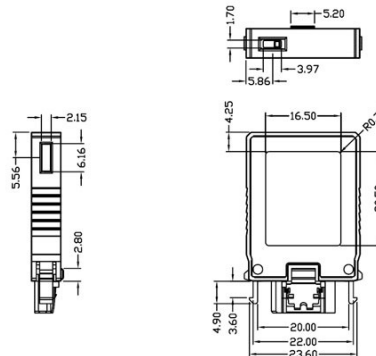


SATADOM I-100 -Embedded Flash Storage-

- ❑ Innodisk SATADOM I-Series I as tiny as 1/8 of regular 2.5 inch SSD cards (70x100x9.5mm)
- ❑ Capacity of the I-Series is 32, 64 and 128 GB
- ❑ Industry quality product is with build in ECC (Error Correction Code)
- ❑ Simple and easy to install
- ❑ Ultra high density with up to 32 GB (SLC) and 64 GB (MLC)
- ❑ Advanced and innovative mechanical design for anti-vibration
- ❑ Built in VCC at pin 7
- ❑ Data encryption AES-128 support



Specifications:

Capabilities:	SLC: 2GB~32GB MLC: 4GB~64GB
Interface:	Serial ATA II
Transfer Rate:	PIO Mode 0-4 MwDMA mode 0-2 Ultra DMA Mode 0-5
Data Transfer Rate:	Read: 100MB/sec. Max Write 50MB / sec.
Operation Temp:	0°C~+70°C (Standard) -40°C~+70°C (Industrial)

Storage Temp:	-55°C ~ + 95°C
Vibration:	20G (7~2000Hz)
Shock:	50G/10ms
DC Input Voltage:	+5V single Power supply operation
Power Mode:	Auto stand-by mode
Dimensions:	25x39.4x6.5 (WxLxH)