

GM-44S-RS232

GPS Marine Receiver

- ❑ Chipset SiRF III
- ❑ Waterproof
- ❑ Low-profile
- ❑ Central Screw Mount
- ❑ Robust construction
- ❑ High sensitivity
- ❑ Interface RS-232

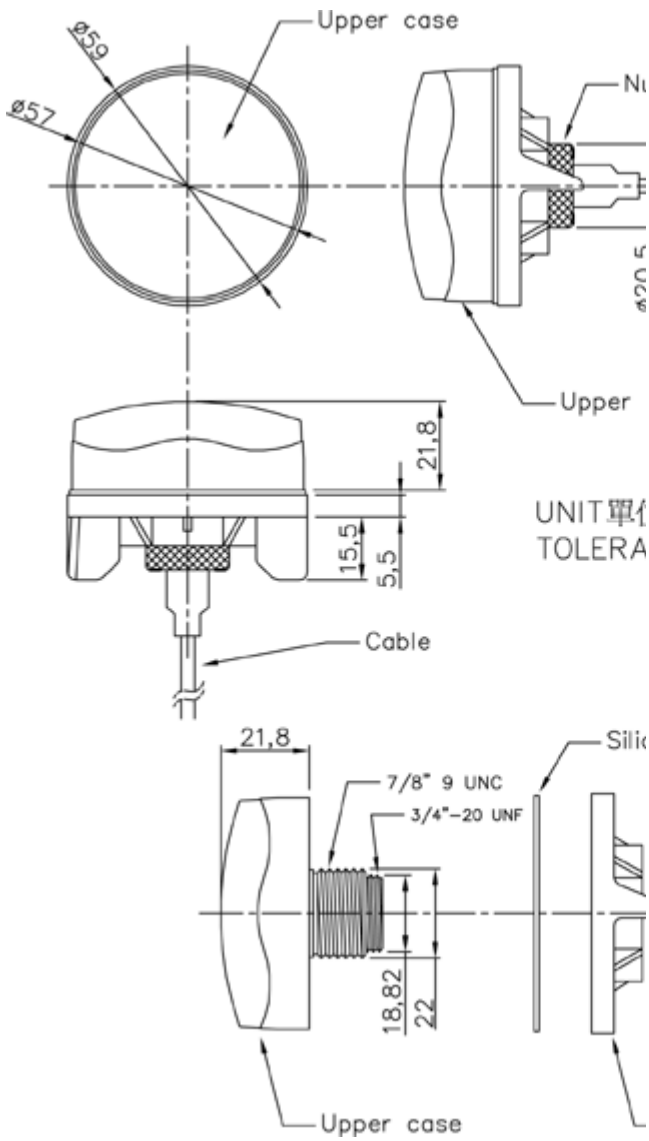


Features:

Integrated antenna
1 Hz update-rate
Baud Rate 4800
Fast cold-start time of 42s
Low power consumption 80mA
Robust structure
Metallic base to enhance the grounding
SBAS (WAAS,EGNOS,RTCM) 1 Channel

Applications:

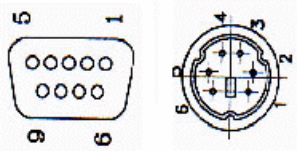
- GPS marine or land navigation
- Telemetry applications
- AVL applications



UNIT單位
TOLERA

DB09 Female

DIN-6PIN



<u>pin1 = n/c</u>	<u>pin1 = n/c</u>
<u>pin2 = TXA</u>	<u>pin2 = GND</u>
<u>pin3 = RXA</u>	<u>pin3 = n/c</u>
<u>pin4 = n/c</u>	<u>pin4 = n/c</u>
<u>pin5 = GND</u>	<u>pin5 = +5V DC</u>
<u>pin6 = n/c</u>	<u>pin6 = n/c</u>
<u>pin7 = n/c</u>	
<u>pin8 = n/c</u>	
<u>pin9 = n/c</u>	

Standard Connections for **GM-44S-RS232**
(See Specifications overleaf for variants)

Specifications:

GM-44S-RS232

Mechanical Data:

(Diameter x H)	56mm x 28mm
Weight	85gram
Cable	3m
Mounting	Central screw
Housing color	White
Construction	Fully waterproof structure

Environmental Conditions:

Operating Temp.	-30°C ~ + 75°C
Storage Temp.	-40°C ~ + 85°C

Communication:

Protocol	NMEA
Signal level	RS-232

Interface Capability:

Standard Output	GGA, RMC, GSV, GSA
-----------------	--------------------

Performance:

Built-in Antenna	H.-reliable ceramic patch
Sensitivity	-159 dBm
SBAS	Support WAAS, EGNOS
Receiver architecture	20 parallel channels
	0,1 sec. (hot start)
Start up time (typical)	35 sec. (warm start)
	42 sec. (cold start)
Position accuracy	10m 2D RMS
DGPS (WAAS,EGNOS)	<2.0 m
Velocity	518 m/S
Altitude max.	18.000 m
Update Rate	1 Hz
Power Supply	5V internal with 8V ~ 35V Adapter or 8V ~ 35V direct
Current Consumption	100mA Acquisition 80mA Tracking
Baud Rate	4800 bps (Standard)

Shipment:

- Receiver
- Cable with DB-9 connector
- Software CD
- 8V ~ 35V Direct or via Cigar-Adapter (depends on version)

Ordering Information:

GM-44S-RS232 5m cable, DB-9 for data, Cigar Adapter for 8V ~ 35V
For pinout see diagram on front page

GM-44S-RS232:A 1m cable, DB-9 for data, PSU for 8~35V internal, data & power on DB9(f):
Pin 1 – Rx
Pin 4 – 8V ~ 35V Power
Pin 5 – Ground
Pin 6 – Tx

GM-44S-RS232:B 5m cable, DB-9 for data, PSU for 8~35V internal, 30cm power-cable from DB9(f):
Pin 2 – Tx
Pin 3 – Rx
Pin 5 – Ground

GM-44S-RS232:C 5m cable, DB-9 for data, PSU for 8~35V internal, data & power on DB9(f):
Pin 3 – Ground
Pin 4 – 8V ~ 35V Power
Pin 5 – Tx
Pin 9 – Rx

GM-44S-RS232:D 5m cable, DB-9 for data, PSU for 8V~35V internal, data & power on DB9(f):
Pin 3 – Ground
Pin 4 – 8V ~ 35V Power
Pin 5 – Rx
Pin 9 – Tx

Other versions on request

Contact us:

TecSys GmbH
Karl-Theodor-Str. 70
80803 Munich
Germany

Email: sales@tecsys.de
Internet: www.tecsys.de
Phone: +49 89 321 990 -11
Fax: +49 89 307 21 6