

GM-44UB-RS232

GPS Marine Receiver

- ❑ Chipset “u-blox 7”
- ❑ Waterproof
- ❑ Low-profile
- ❑ Central Screw Mount
- ❑ Robust construction
- ❑ High sensitivity
- ❑ Interface RS-232

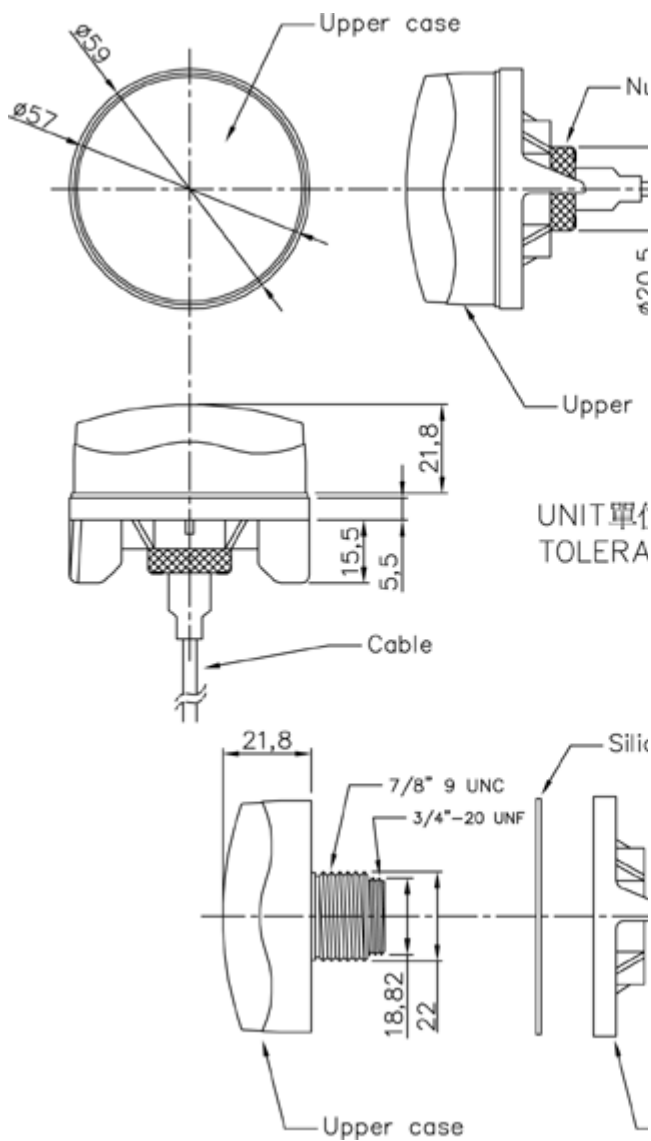


Features:

Integrated antenna
1 Hz update-rate
Baud Rate 4800
Fast cold-start time of 42s
Low power consumption 80mA
Robust structure
Metallic base to enhance the grounding
SBAS (WAAS,EGNOS,RTCM) 1 Channel

Applications:

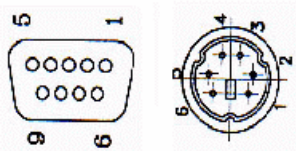
- GPS marine or land navigation
- Telemetry applications
- AVL applications



UNIT單位
TOLERA

DB09 Female

DIN-6PIN



<u>pin1 = n/c</u>	<u>pin1 = n/c</u>
<u>pin2 = TXA</u>	<u>pin2 = GND</u>
<u>pin3 = RXA</u>	<u>pin3 = n/c</u>
<u>pin4 = n/c</u>	<u>pin4 = n/c</u>
<u>pin5 = GND</u>	<u>pin5 = +5V DC</u>
<u>pin6 = n/c</u>	<u>pin6 = n/c</u>
<u>pin7 = n/c</u>	
<u>pin8 = n/c</u>	
<u>pin9 = n/c</u>	

Standard Connections for **GM-44UB-RS232**
(See Specifications overleaf for variants)

Specifications:

GM-44UB-RS232

Mechanical Data:

(Diameter x H)	56mm x 28mm
Weight	87gram
Cable	5m (Standard)
Mounting	Central screw
Housing color	White
Construction	Fully waterproof structure

Environmental Conditions:

Operating Temp.	-30°C ~ + 75°C
Storage Temp.	-40°C ~ + 85°C

Communication:

Protocol	NMEA, UBX binary
Signal level	RS-232

Interface Capability:

Standard Output	GGA, RMC, GSV, GSA, VTG
-----------------	-------------------------

Performance:

Built-in Antenna	H.-reliable ceramic patch
Sensitivity	-150 dBm
SBAS	Support WAAS, EGNOS
Receiver architecture	50 parallel channels 1 sec. (hot start)
Start up time (typical)	32 sec. (warm start) 32 sec. (cold start)
Position accuracy	10m 2D RMS
DGPS (WAAS,EGNOS)	<2.0 m
Velocity accuracy	0.1 m/S
Update Rate	1 Hz to 4 Hz selectable
Power Supply	5V internal with 8V ~ 35V Adapter, or 8V ~ 35V direct
Current Consumption	70 mA Acquisition 63 mA Tracking
Baud Rate	4800 bps (Standard) selectable to 115200 bps

Shipment:

- Receiver
- Cable with DB-9 connector
- Software CD
- 8V ~ 35V Direct or via Cigar-Adapter (depends on version)

Ordering Information:

GM-44UB-RS232 5m cable, DB-9(f) for data, Cigar Adapter for 8V ~ 35V
For pinout see diagram on front page

GM-44UB-RS232:A 1m cable, DB-9(f) for data, PSU for 8~35V internal, data & power on DB9(f):
Pin 1 – Rx
Pin 4 – 8V ~ 35V Power
Pin 5 – Ground
Pin 6 – Tx

GM-44UB-RS232:B 5m cable, DB-9(f) for data, PSU for 8~35V internal, 30cm power-cable from DB9(f):
Pin 2 – Tx
Pin 3 – Rx
Pin 5 – Ground

GM-44UB-RS232:C 5m cable, DB-9(f) for data, PSU for 8~35V internal, data & power on DB9(f):
Pin 3 – Ground
Pin 4 – 8V ~ 35V Power
Pin 5 – Tx
Pin 9 – Rx

GM-44UB-RS232:D 5m cable, DB-9(f) for data, PSU for 8V~35V internal, data & power on DB9(f):
Pin 3 – Ground
Pin 4 – 8V ~ 35V Power
Pin 5 – Rx
Pin 9 – Tx

GM-44UB-RS232:E 1m data cable with DB-9(f), 50cm power cables open, PSU for 8V~35V internal
Pin 2 – Tx
Pin 3 – Rx
Pin 5 – Ground

Contact us:

TecSys GmbH
Karl-Theodor-Str. 70
80803 Munich
Germany

Email: sales@tecsys.de
Internet: www.tecsys.de
Phone: +49 89 321 990 -11
Fax: +49 89 307 21 65