

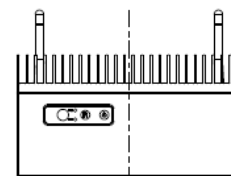
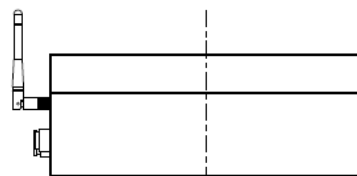
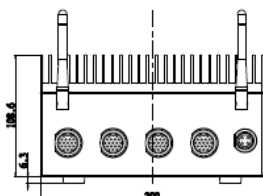
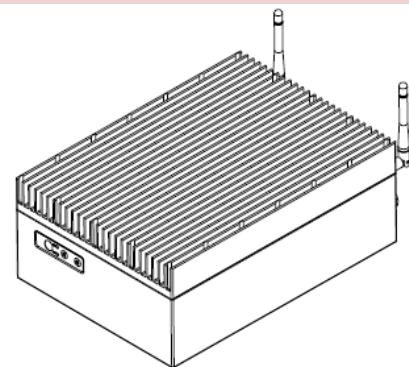
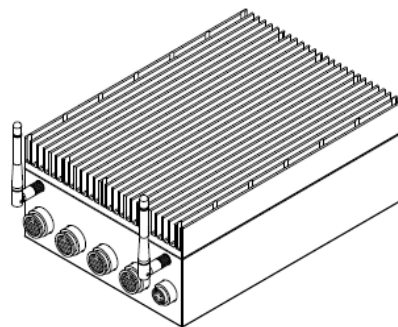
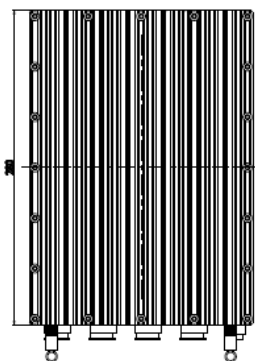
## BC10-0J07

## IP67 Housing Box-PC

- Intel Celeron J1900 Processor
- Intel Atom Bay Trail Chipset
- IP67 Fanless design
- Up to 8Gbyte DRAM
- Optional WiFi / 3G /Bluetooth



Specifications	
Standard Color	Silver Black
Construction	Aluminium extrusion and heavy-duty steel
CPU	Supports Intel Celeron J1900 Processor
System Memory	2 x DDR3 1333 DIMM slot. Up to 8GByte
Chipset	Intel Atom Bay Trail
System I/O Outlet	1 x VGA
	1 x COM (RS232)
	1 x RJ45 Gigabit LAN
	2 x USB 2.0
Storage	1 x 2.5" SATA HDD drive bay
Watchdog Timer	Reset: 1 sec. ~ 255 min. and 1 sec. or 1 in./step
Expansion Interface	N/A
Communication (Option)	WiFi, Bluetooth, and 3G
Power	12 VDC / 2.5 Watt
Operating Temperature	-10°C ~ +55°C
Storage Temperature	-20°C ~ +80°C
Humidity	0% ~ 90%
Dimensions	TBD
Weight	TBD



Errors and omissions excepted