

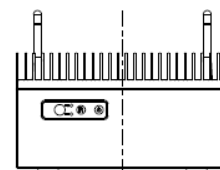
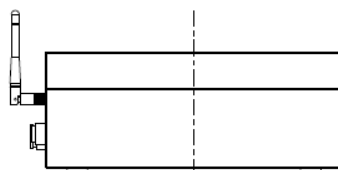
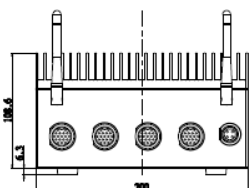
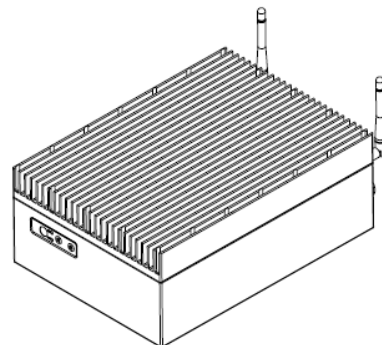
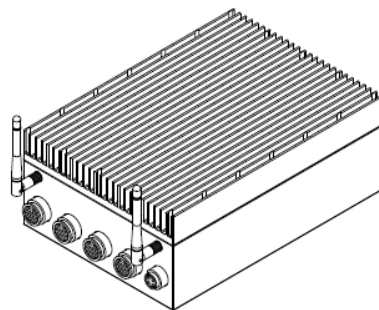
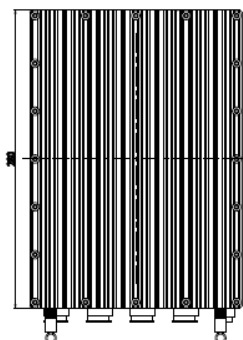
BC10-0J08

IP67 Housing Box-PC

- Intel i3/i5/i7/Celeron Processor
- Intel H61 Chipset
- IP67 Fanless design
- Up to 16Gbyte DRAM
- Optional WiFi / 3G /Bluetooth



Specifications	
Standard Color	Silver Black
Construction	Aluminium extrusion and heavy-duty steel
CPU	Supports Intel i3/i5/i7/Celeron Processor
System Memory	2 x DDR3 1333/1600 DIMM slot. Up to 16GByte
Chipset	Intel H61
System I/O Outlet	1 x VGA 1 x COM (RS232) 1 x RJ45 Gigabit LAN 2 x USB 2.0
Storage	1 x 2.5" SATA HDD drive bay
Watchdog Timer	Reset: 1 sec. ~ 255 min. and 1 sec. or 1 in./step
Expansion Interface	N/A
Communication (Option)	WiFi, Bluetooth, and 3G
Power	12 VDC ; 2.5 Watt
Operating Temperature	-10°C ~ +55°C
Storage Temperature	-20°C ~ +80°C
Humidity	0% ~ 90%
Dimensions	TBD
Weight	TBD



Errors and omissions excepted