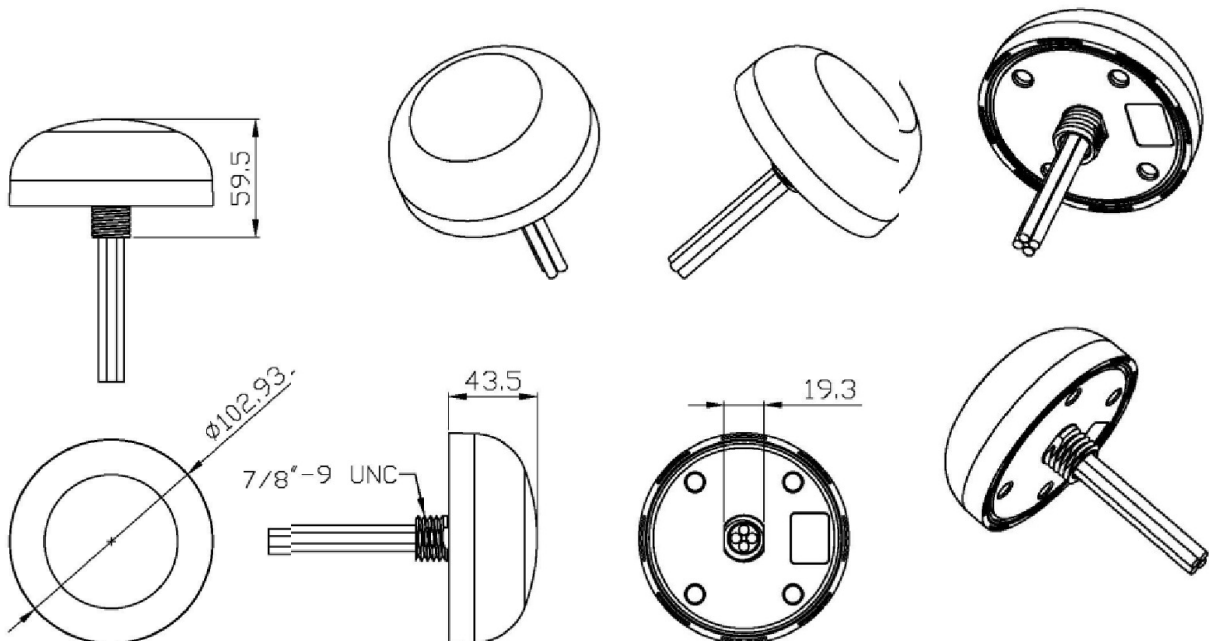


AW-10

GNSS +LTE Multi-Band Antenna

- The AW-10 is an excellent Multi-Band-Antenna for telemetry applications
- MIMO LTE + MIMO Dual Band 2.4-5.0GHz + GNSS
- Highly sensitive for improved efficiency
- Centre screw mounting
- Compact, robust, waterproof housing



AW-10 Combo Antenna Specifications

Category	GPS Antenna	Communication Antenna
Dimensions	Ø 110 mm x 40 mm --	
Operating Temperature	-40°C ~ +80°C	
Storage Temperature	-45°C ~ +100°C	
Frequencies	1575.42 MHz (L1 Band GPS) 1602 MHz (GLONASS)	704MHz ~ 960MHz 1710MHz ~ 2690MHz
Gain	27 dB at 3V	6.9dBi @ 700~960MHz (1m cable) 4.0dBi @ 1710~2170MHz (1m cable) 2.7dBi @ 2300~2690MHz (1m cable)
VSWR	≤ 1.5	< 2.2 (with 1m cable)
Noise Figure	1.2 max	--
Bandwidth	43MHz @ S11 ≤ -10dB	256MHz for 704MHz ~ 960MHz 460MHz for 1710MHz ~ 2170MHz 100MHz for 2400MHz ~ 2500MHz 700MHz for 5150MHz ~ 5850MHz
Impedance	50 Ω	50 Ω
Cable & Connector	1m / RG-174 / SMA(m) Connector	1m / RG-174 SMA(m) Connector
Polarization	RHCP (right hand circular polarization)	Linear
Power supply	3.0 V ~ 5.5 VDC	--
Power Consumption:	6 ~ 13 mA	--
Power capacity		10W

Ordering Information:

AW-10 (cable length 1m, GPS=SMA(m))

Contact us:

TecSys GmbH

Karl-Theodor-Str. 55

80803 Munich, Germany

Email: sales@tecsys.de

Internet: www.tecsys.de

Phone: +49 89 321 990 11

Fax: +49 89 307 21 65

AW-10_DB_EN_20140804_RH