

AW-1G

GNSS + LTE + WiFi Multi-Band Antenna

Main features

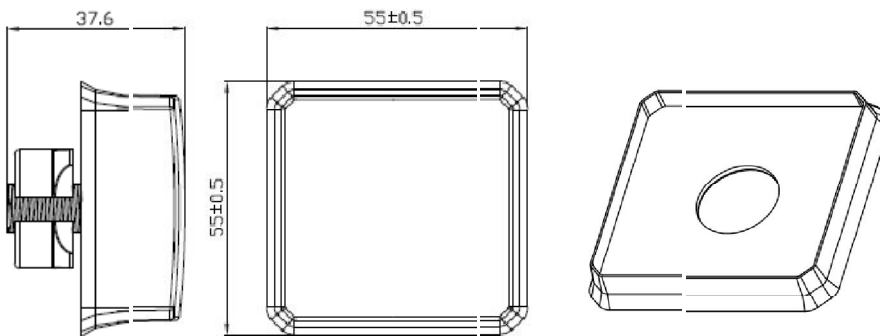
- Highly sensitive for improved efficiency
- Centre screw mounting
- Compact, robust, waterproof
- GPS + GLONASS

Applications

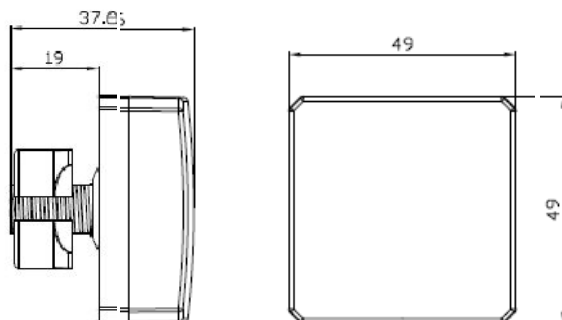
- Kiosk
- Smart metering
- Vending machine
- Navigation
- Asset tracking



Dimensions (with waterproof gasket)



Dimensions (without waterproof gasket)



AW-1G Combo Antenna Specifications

Category	GNSS Antenna	LTE Antenna	WiFi Antenna
Frequencies	1575.42 ± 1.5 MHz (L1 GPS) 1602 ± 1.5 MHz (GLONASS)	824 MHz ~ 960 MHz 1710 MHz ~ 2690 MHz	2400 ~ 2500 MHz
Gain	24 dB	1.7 dBi	3.2 dBi
VSWR	≤ 1.8 (with 1m cable)	< 2.0 (with 1m cable)	< 2.0 (with 1m cable)
Noise Figure	< 1.5	--	--
Impedance	50 Ω		
Cable & Connector	3m / RG-174 / SMA(m)	3m / RG-174 SMA(m)	3m / RG-174 SMA(m)
Polarization	RHCP (right hand circular polarization)	Linear	Linear
Power supply	3.0 V ~ 6.0 VDC	--	--
Power Consumption:	4.7 ~ 8.7 mA at 3V	--	--
Power capacity	10W		
Dimensions	49 x 49 x 37.6 mm (excluding waterproof gasket) 55 x 55 x 37.6 mm (including waterproof gasket)		
Operating Temperature	-40°C ~ +80°C		
Storage Temperature	-45°C ~ +100°C		

Ordering Information:

AW-1G (cable length 3m, connectors = SMA(m))
Other configurations on enquiry.

Contact us:

TecSys GmbH
Karl-Theodor-Str. 70
80803 Munich, Germany
Email: sales@tecsys.de
Internet: www.tecsys.de
Phone: +49 89 321 990 11
Fax: +49 89 307 21 65

Änderungen und Irrtümer vorbehalten

AW-1G_DB_EN_20160513_RH