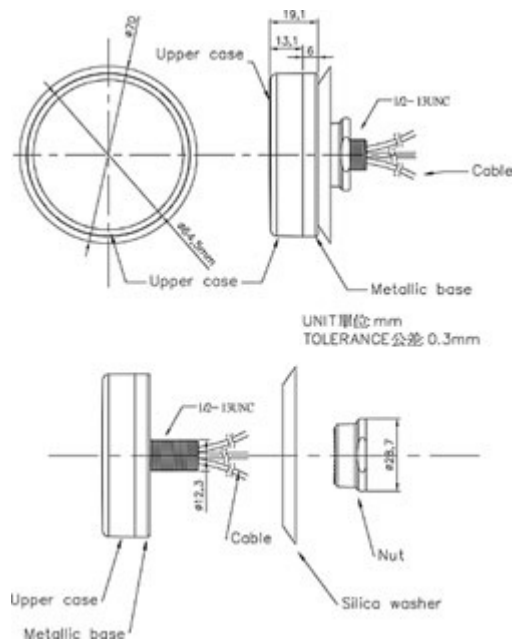


## AW-3C Quad-Band Antennen Serie:

- ❑ Die AW-3C ist eine Kombination aus GPS-, CDMA & WiFi - Antenne
- ❑ Die Antenne wird genutzt um die zum Beispiel das AVL oder Fleet Management System zu vereinfachen
- ❑ Robust, Wasserdicht, Schraub & Saugnapf Montage



### Specifications:

Category	GPS Antenna	CDMA Antenna	WiFi Antenna
Features	Patch antenna with state of the art low noise amplifier	Dual band 850/1900 MHz	2.4 GHz
Frequency	1575.42 MHz	824MHz ~ 894MHz 1840 MHz ~ 2000 MHz	2.4 G ~ 2.5 G
Size (Ø x H)	Ø 64.5 mm x 19 mm	--	--
Polarization	RHCP (right hand circular polarization)	Linear Polarization	Linear Polarization
Peak Gain	26 dB typically	850 MHz -7.0 dBi	-7 dBi
Noise Figure	2.0 max	--	--
Attenuation	20dB min. @ FO+/-50 MHz	--	--
Band Width	10 MHz	70MHz for frequency of 824~894 MHz 160 MHz for frequency of 1840 ~ 2000 MHz	100 MHz for frequency of 2.4G ~ 2.5 G
VSWR	< 2.0	< 2.0	< 1.5 + 0.1

<b>Impedance</b>	50 $\Omega$	50 $\Omega$	50 $\Omega$
<b>Power supply</b>	3 V ~ 5.5 VDC	--	--
<b>Power Consumption:</b>	11 mA	--	--
<b>Power Handling Cap.</b>	--	10W	10W
<b>Operating Temperature</b>	-40 °C ~ +55 °C	--	--
<b>Storage Temperature</b>	-45 °C ~ +55 °C	--	--