

## SM-76 and SM-76G

## Active GNSS Antennas

- ❑ SM-76 for GPS only
- ❑ SM-76G for GPS + Glonass
- ❑ Integration of a high performance patch antenna with integrated Low Noise Amplifier
- ❑ Low profile, extremely compact & waterproof enclosure
- ❑ Magnetic mount with additional 2 x M3 tapped holes



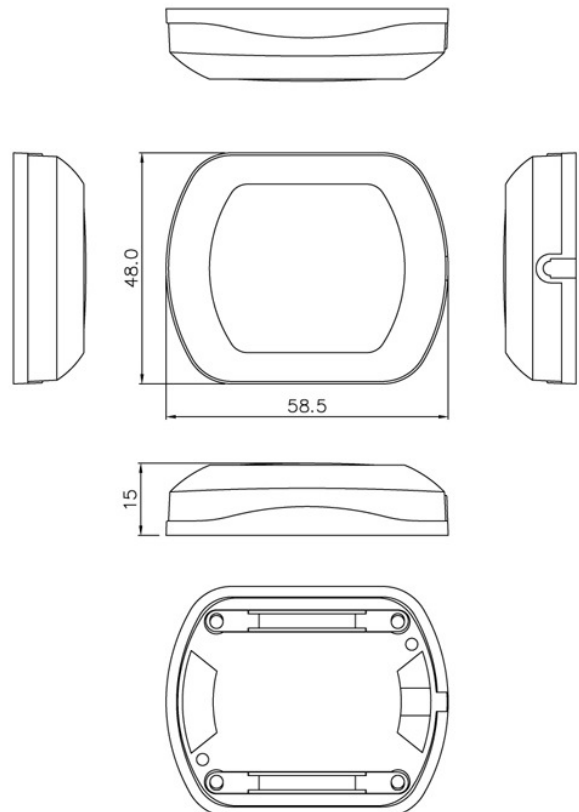
### **Description:**

The SM-76 is extremely rugged and fully waterproof

When connected to a receiver with appropriate antenna power voltage, the antenna provides excellent signals and out of band filtering for the receiver

### **Applications:**

- AVL / Fleet Management System
- Car navigation
- Marine
- Weather Balloon
- Security Surveillance



# Datasheet SM-76 and SM-76G Antennas

## ***Mechanical Data:***

Size in mm (LxWxH)	58,5 x 48 x 15
Weight	63 gram without cable
Cable	5m RG174/U Standard, other lengths on request
Pulling Strength	6kg for 5 sec. With molded plastic on connector end for strain relief
Connectors available	SMA(m) standard. Also available with BNC, TNC, FME, MMCX, MCX, SMA, SMB or SMC in straight or right angle type
Optional	Universal Connector Adapter (FME to TNC, BNC, SMA, SMB, MCX)
Mounting	magnetic & screw-mount (2 x M3 tapped holes)

## ***Environmental Conditions:***

Operating Temp.	-30°C ~ +80°C
Storage Temp.	-40°C ~ +85°C
Relative Humidity	95% non-condensing
Water resistance	100% Waterproof

## ***Antenna Element:***

Polarization	R.H.C.P:
Gain at Zenith	+ 1.5 dBic typical
Axial Ratio	3 dB max

## ***Low Noise Amplifier:***

Power Gain	27 dB @3V typical
Bandwidth (SM-76)	2 MHz min
Bandwidth (SM-76G)	43 MHz min
Noise Figure	1.5 typical
Supply Voltage	2.5 ~ 5V DC
Current Consumption	6.1 ~ 13mA

## ***Overall Performance:***

(Antenna element, LNA & Coax cable)	
Center Frequency (SM-76)	1575.42 MHz
Center Frequency (SM-76G):	1575.42 MHz ±10MHz
	1602,00 MHz ± 8 MHz
Gain (SM-76)	30 dB min
Gain (SM-76G)	At 90° 27 ± 3dB
Noise Figure	2.0 max
Axial Ratio	3 dB max.
VSWR	2.0 max
Output Impedance	50Ω

## ***Contact us:***

**TecSys GmbH**  
Karl-Theodor-Str. 55  
80803 Munich  
Germany  
Email: [sales@tecsys.de](mailto:sales@tecsys.de)  
Internet: [www.tecsys.de](http://www.tecsys.de)  
Phone: +49 89 321 990 - 11  
Fax: +49 89 307 21 65