

## GM-158 Mini GPS Locator (“Mouse”)

- ❑ Small and low-priced
- ❑ GPS Receiver / Antenna
- ❑ Provides real time GPS position
- ❑ MTK-3301 Chipset
- ❑ Interface RS-232 or USB available
- ❑ Waterproof

### **Description:**

The GM-158 is an small GPS receiver for magnetic attachment but also having screw holes. It has a waterproof housing with integrated antenna.

It offers a compact solution for navigation on the road or at sea.

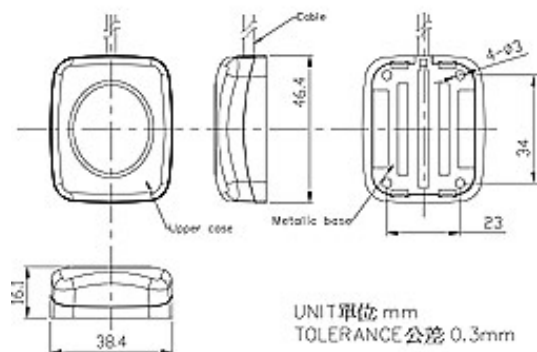
It is available with either USB- or RS-232 Interface.

The GM-158 supplies in real-time the position, speed and direction in NMEA 0183 to your PC or laptop.

It can operate with any NMEA-compatible Navigation Software.

### **Application:**

- Navigation and positioning
- Finding streets and route via GPS map software: travel / track planning
- Application for marine Navigation
- In-car navigation / location for public safety and emergency AVL GPS navigation
- Fleet management GPS system



# Datasheet: GM-158-USB or -RS232

## **Mechanical Data:**

Size in mm (LxWxH)	46x38x16.1
Weight	214gram
Cabel	5m
Mounting	magnetic / screw mount
Housing color	black

## **Environmental Conditions:**

Operating Temp.	0°C ~ + 70°C
Storage Temp.	-20°C ~ + 85°C

## **Communication:**

Protocol	NMEA V3.00
Signal level	EIA/TIA-232 or USB 1.1

## **Interface Capability:**

Standard Output	GGA,RMC,GSV*5,VTG
Sentences	GSA*5(option: GLL,ZDA)

## **Performance:**

Channels	14 parallel channels
Built-in Antenna	H.-reliable ceramic patch
Sensitivity	-158 dBm
Receiver architecture	20 parallel channels 1 sec. (hot start)
Start up time (typical)	35 sec. (warm start) 41 sec. (cold start)
Position accuracy	Autonomous Pos Error 1.5 m CEP
Velocity	0.1 knot RMS steady state
Altitude	50 km
Update Rate	1 ~ 5 Hz
Power Supply	RS-232 @ 3~5V USB @ 5 V
Current Consumption	Acquisition: 60mA Tracking : 60 mA
Baud Rate	9600 bps (default) Option: 4800/19200/ 38400/57600/115200)

## **Shipment:**

- Receiver
- Software CD
- 5m cable with USB or DB-9
- 12V Car Adapter

## **Ordering Information:**

**GM-158-USB** (USB-Interface)

**GM-158-RS232** (RS-232 DB-9 Interface)

## **Contact us:**

**TecSys GmbH**

Karl-Theodor-Str. 55  
80803 Munich  
Germany

Email: [sales@tecsys.de](mailto:sales@tecsys.de)

Internet: [www.tecsys.de](http://www.tecsys.de)

Phone: +49 89 321 990 11

Fax: +49 89 307 21 65

