

GM-48UB GPS Receiver (“Mouse”)

- ❑ Antaris 4 Chipset
- ❑ Low battery and high accuracy
- ❑ GPS Receiver / Antenna
- ❑ Interface RS232 or USB

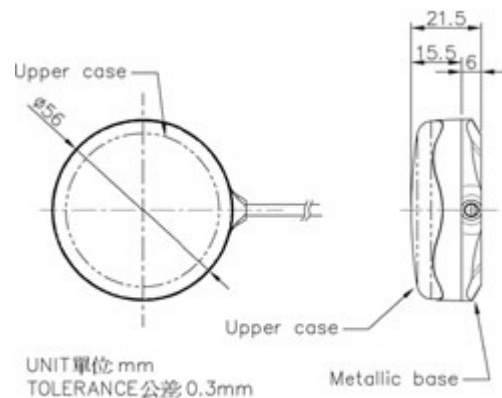


Features:

Selectable 1~4 Hz update rates
Selectable Baud Rate 4800 to 115200
Fast cold start time of 41s
Low power consumption
Robust structure
Metallic base to enhance the grounding

Application:

- GPS navigation for both marine and land
- Telemetry applications
- AVL applications



Specifications: GM-48UB-USB and GM-48UB-RS232

Mechanical Data:

Size in mm	
(Diameter x H)	56 x 21.5
Weight	87gram
Cabel	5m
Mounting	magnetic
Housing color	white
Construction	Fully waterproof structure

Environmental Conditions:

Operating Temp.	-30°C ~ + 75°C
Storage Temp.	-40°C ~ + 85°C

Communication:

Protocol	NMEA, UBX binary
Signal level	USB or RS-232

Interface Capability:

Standard Output	GGA*5,GSV*5,GGA, RMC,VTG
-----------------	-----------------------------

Performance:

Built-in Antenna	H.-reliable ceramic patch
Sensitivity	-158 dBm
SBAS	Support WAAS, EGNOS
Receiver architecture	50 parallel channels 1 sec. (hot start)
Start up time (typical)	32 sec. (warm start) 32 sec. (cold start)
Position accuracy	Autonomous Pos Error <2.5 m CEP
DGPS (WAAS,EGNOS)	<2.0 m
Velocity	0.1 M/S
Altitude	50 km
Update Rate	1~4 Hz selectable
Power Supply	RS-232: 5V or 8~35V USB: USB @ 5 V

Current Consumption	61mA for USB 63 mA for RS232
Baud Rate	4800 bps (default) 2400/4800/19200/38400/ 57600/115200

Shipment:

- Receiver
- 5m cable with USB or DB-9 connector
- Software CD
- 8V ~ 35V Car Adapter (RS232 version)

Ordering Information:

GM-48UB-USB (USB-Interface)

GM-48UB-RS232 (RS232 Interface)

Contact us:

TecSys GmbH

Karl-Theodor-Str. 55

80803 Munich

Germany

Email: mark@tecsys.de

Internet: <http://www.tecsys.de>

Phone: +49 89 321 990 14

Fax: +49 89 307 21 65

