

GM-48S GPS Empfänger ("Maus")

- ❑ GPS Empfänger / Antenne
- ❑ SiRF StarIII Chipsatz
- ❑ RS-232 Anschluß
- ❑ Niedriger Stromverbrauch
- ❑ Hohe Genauigkeit

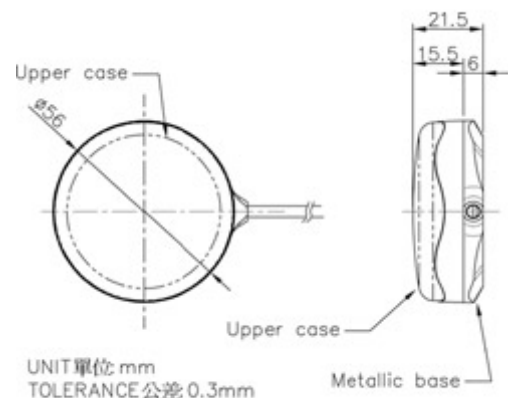


Merkmale:

- Update einstellbar zwischen 1 ~ 4 Hz
- Schneller Kaltstart
- Niedriger Energie Verbrauch
- Robuste Struktur
- Magnetische Montage

Anwendung:

- GPS Navigation für die Anwendung an Land oder auf See
- Telemetrische & AVL Anwendungen



GM-48S

Spezifikationen

Mechanical Data:

Size in mm (Diameter x H)	56 x 21.5
Weight	87gram
Kabel	5m
Mounting	magnetic
Housing color	white
Construction	Fully waterproof structure

Environmental Conditions:

Operating Temp.	-30°C ~ + 75°C
Storage Temp.	-40°C ~ + 85°C

Communication:

Protocol	NMEA, UBX binary
Signal level	RS-232

Interface Capability:

Standard Output	GGA*5,GSV*5,GGA, RMC,VTG
-----------------	-----------------------------

Performance:

Receiving frequency	1575.42 MHZ, C/A code
Built-in Antenna	Ceramic patch
Sensitivity	-150 dBm
SBAS	Support WAAS, EGNOS
Receiver architecture	50 parallel channels
Start up time (typical)	1 sec. (hot start) 32 sec. (warm start) 32 sec. (cold start)
Autonomous Pos Error	<2.5 m CEP
DGPS (WAAS,EGNOS)	<2.0 m
Velocity	0.1 M/S
Altitude	50 km
Update Rate	1 ~ 4 Hz selectable
Power Supply	8V ~ 35V

Current Consumption	63mA
Baud Rate	4800 bps (default) 2400/4800/19200/38400/ 57600/115200)

Shipment:

- Receiver
- Software CD
- 5m cable with DB-9

DB9 Pinout:

Pin 2 – TX Data
Pin 3 – RX Data
Pin 5 – Masse
Pin 9 – Strom

Ordering Information:

GM-48S-RS232DB
5m cable, DB-9 Interface with Data and Power

Contact us:

TecSys GmbH
Karl-Theodor-Str. 55
80803 Munich
Germany

Email: sales@tecsys.de
Internet: www.tecsys.de
Phone: +49 89 321 990 -11
Fax: +49 89 307 21 65

